



Project Name:

Type:

Catalog#:

The PTK series is an economy high efficiency LED fixture designed for exterior round pole post top lighting. With glare-free Type V optic, it distributes light in a wide and uniform 360° pattern that is perfect for large outdoor areas such as parking lots and walkways. The external air-cooling fins allows it Max. 150W power to replace 400W MH.

Ordering SKU:

SKU	Wattage	CCT	Optic	Color	Mounting	Input Voltage
PTK	50W=50W	50K=5000K	T5=Type V, Std	(blank)=Bronze, Std	3=Three Legs	(blank)=120-277V, Std
	70W=70W	40K=4000K		BL=Black	1=One Leg	HV=347-480V
	100W=100W	30K=4000K		WH=White		
	150W=150W			GR=Gray		

Specs:

Family Model	Wattage	Lumens	lm/W	CCT	CRI
PTK-50W	50W	6,500lm	130lm/W	3000K/4000K/5000K	75+
PTK-70W	70W	9,100lm	130lm/W	3000K/4000K/5000K	75+
PTK-100W	100W	13,000lm	130lm/W	3000K/4000K/5000K	75+
PTK-150W	150W	19,500lm	130lm/W	3000K/4000K/5000K	75+

Features & Specs

Construction:

- Compact die cast aluminum housing.
- Superior heat sinking with hidden Air-Flow fins.
- IP65 for wet and damp locations.

Mounting:

- Post top mount to fit 2 3/8" & 3" pole.

Electrical:

- High Power Factor, low THD UL listed driver with 5KV surge protection.
- Universal line voltage input 120-277V, 347/480V optional.

Optical:

- Standard wide beam Type V.

Controls Options:

- NEMA Photocell

Warranty:

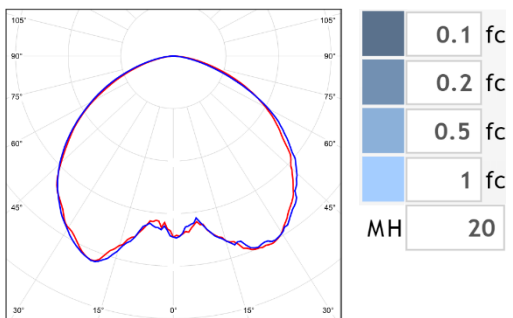
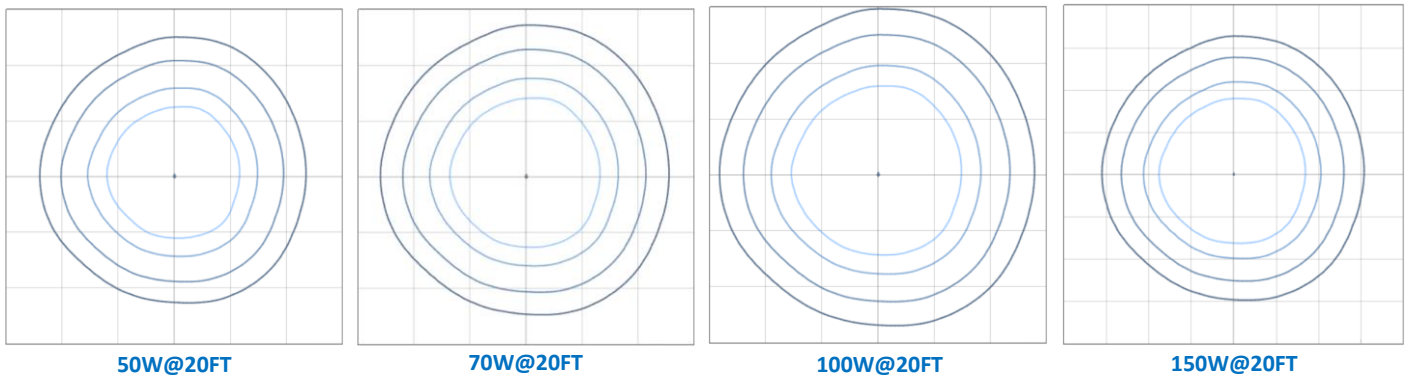
- 5 years warranty for complete fixture.

Listings:

- UL
- DLC
- RoHs
- IP65

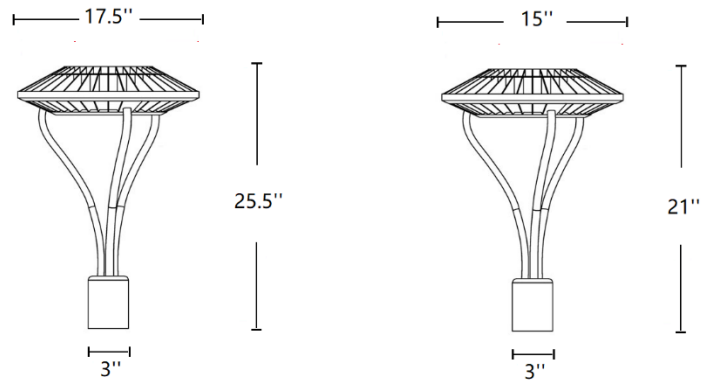


Photometrics (MH=20'):



Polar Distribution

Dimensions:



100W/150W

50W/70W