



Project Name:

Type:

Catalog#:

The EX-LITE PTR Post Top Area Light is one of the most state-of-the-art architectural outdoor fixtures designed for high end area lighting like hotel, restaurant, campus, HOA & business parking.

Ordering SKU:

Family Model	Wattage	CCT	Optic	Color	Control	Input Voltage
PTR	60W=60W	50K=5000K	(blank,)=Type V, Std.	(blank)=Bronze, Std.	(blank)=None, Std.	(blank)=120-277V, Std.
	80W=80W	40K=4000K	T4=Type IV	BL=Black	PCN=NEMA Photocell	HV=480V
	100W=100W	30K=4000K		WH=White	OCC=Bi-Level motion sensor	
				GR=Gray		

Specs:

Family Model	Wattage	Lumens	lm/W	CCT	CRI
PTR-60W	60W	7,800lm	130lm/W	3000K/4000K/5000K	80+
PTR-80W	80W	10,400lm	130lm/W	3000K/4000K/5000K	80+
PTR-100W	100W	13,000lm	130lm/W	3000K/4000K/5000K	80+

Features & Specs

Construction:

- Die cast aluminum housing.
- Superior heat sinking with hidden Air-Flow fins.
- IP65 for wet and damp locations.

Mounting:

- Post top mount to fit 2 3/8" & 3" round pole.
- Need tenon adapter for square poles.

Electrical:

- High Power Factor, low THD UL listed driver with 5KV surge protection.
- Universal line voltage input 120-277V, 347/480V optional.

Optical:

- Standard wide beam Type V
- Optional forward-throw Type IV

Controls Options:

- NEMA Photocell
- Microwave motion sensor
- CASAMBI intelligent control

Warranty:

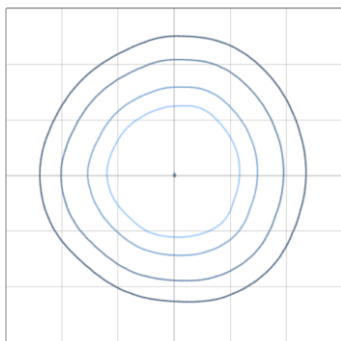
- 5 years warranty for complete fixture.

Listings:

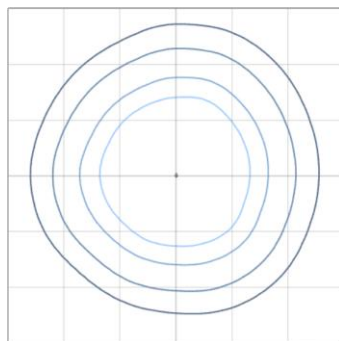
ETL
DLC Pending
RoHs
IP65



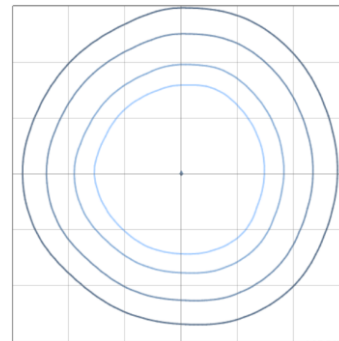
Photometrics (MH=20'):



60W@20FT



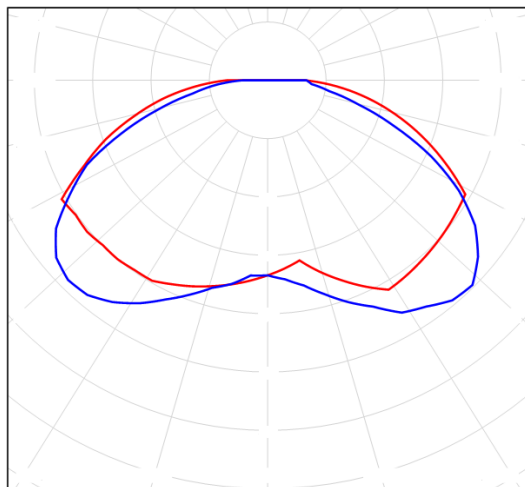
80W@20FT



100W@20FT

0.1	fc
0.2	fc
0.5	fc
1	fc
MH	20

Polar Distribution



Dimensions (one size):

