



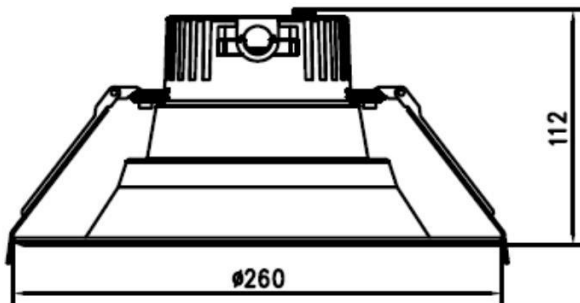
PRODUCT DESCRIPTION:

Designed to fit any ceiling surface 7.6" – 9.4" (195 -240mm). Suspended and hanging for other types of ceilings such as art galleries, homes, schools, offices, hotels, restaurants, retail stores and other commercial or industrial applications.

FEATURES:

- Adjustable wattage (12W / 20W / 30W)
- Adjustable CCT (3,000K / 4,000K / 5,000K)
- For retrofit or new construction installation
- Easy fit installation – spring action housing clips
- Universal housing compatibility
- Low maintenance
- No mercury
- Recyclable

DIMENSIONS:



8" Downlight Multi Watt & Multi CCT CDL8



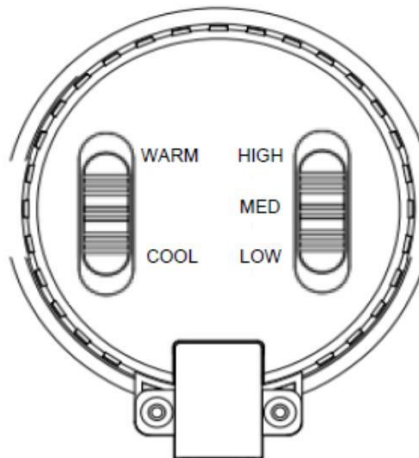


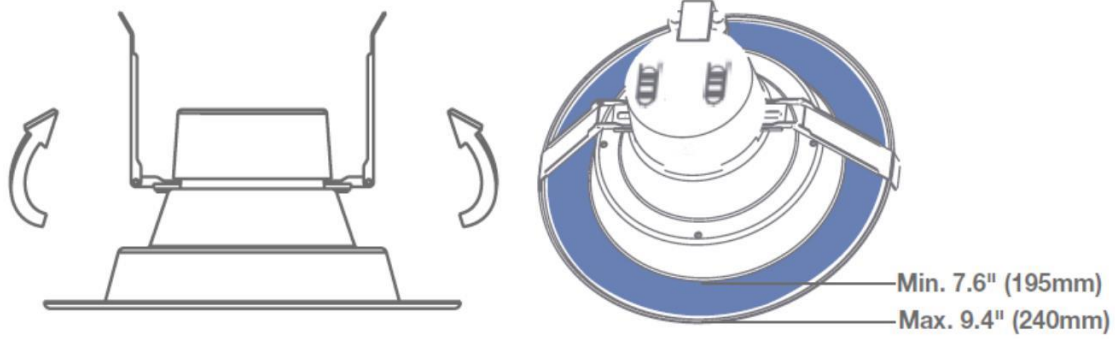
8" Downlight Multi Wattage & Multi CCT

SPECIFICATIONS:

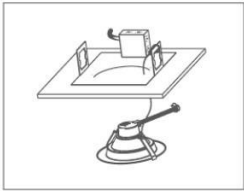
		Specs		
Model	CDL8			
Input Power (Selectable)	12W	20W	30W	
Lumens	1,000lm	1,600lm	2,250lm	
CRI	90+			
CCT	3000K/4000K/5000K			
Equivalent Watts	100W			
Dimming	0-10V			
IP Rating	Dry & Damp Locations			
Beam Angle	120 Degrees			
Input Voltage	110-277V			
Power Factor	0.9+			
Lens	Frosted Polycarbonate			
Mounting	Recessed with Spring Clips			
Certification	ETL, EnergyStar			
Ambient	-10°F to 110°F			
Warranty	5 Years			

CCT & Wattage Selecting Switches:

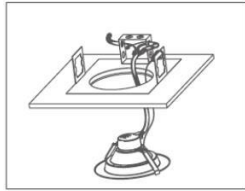




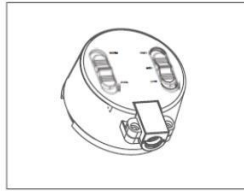
Retrofit Installation



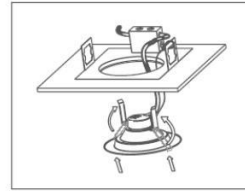
Attach safety clip



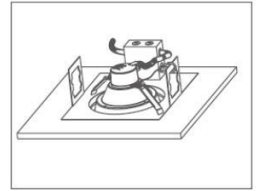
Bypass ballast & wire to j-box



Adjust lumens or color to desired output

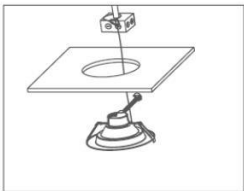


Push clips up & install into fixture

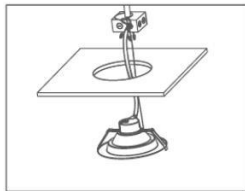


Ensure fixture is flush. Installation is complete

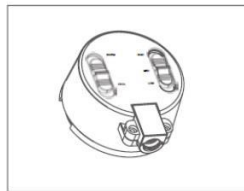
New Construction Installation



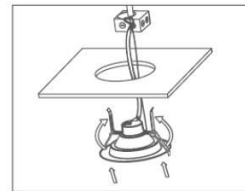
Attach safety clip



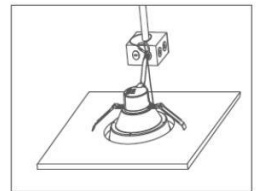
Wire to j-box



Adjust lumens or color to desired output



Push clips up & install into opening



Ensure fixture is flush. Installation is complete